



RIZE

Thanks to RIZE you don't have to choose any longer between theory and practice, or submit to a troublesome 'reorganisation' of your classroom. One moment you are in front of an IT lab with plenty of computer displays, the next moment all computer displays, keyboard and mice have disappeared, and are replaced by an active classroom in which you can teach a normal course.



The frame consists of 3 parts. By screwing the legs to the central frame, we create a sturdy chassis. The elements are constructed from flat-oval 60x30x2mm tubing and curved 2mm thick steel plates. The legs are fitted with oval end caps at the tube endings and 4 adjustable floor glides.



The vertical legs house a hidden sliding mechanism with guide wheels, whose VESA mount allows mounting a LCD computer display.



This sliding mechanism gives the table a double function: computer table and work desk. A soft push on the mechanism cover and the pneumatic pump lifts the display. The display can be retracted afterwards, converting the Rize to a normal desk. The pneumatic pump back pressure amounts to 150N.



Material

Plywood

The table top consists of a 13 layers plywood core, stratified with a decorative synthetic cover and a protective layer at the bottom side. The edges are sanded and varnished after being rounded at a radius of 30 mm.

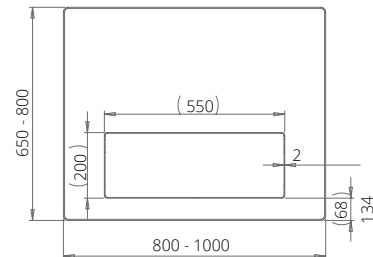
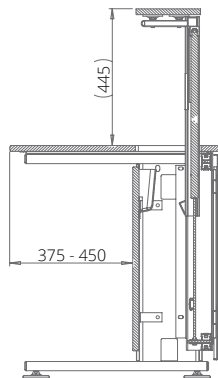
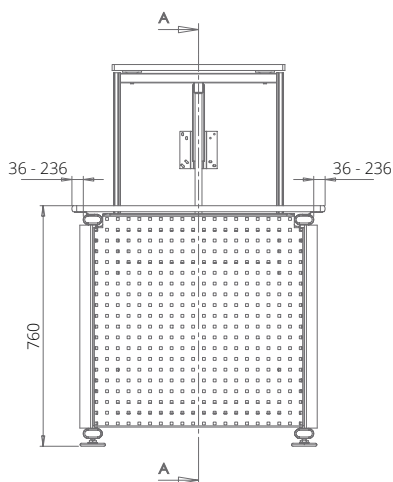
Paint colours for chassis

The (steel) legs are covered with a baked-in epoxy-polyester layered powder coating. The procedure is very environmentally friendly - no solvents are used, the powder is applied through an electrostatic process and the residues are reused. The result is particularly wear-resistant and offers a high degree of resistance to damage and scratching. The table top is fixed to the frame by means of screws

Finishings

When retracted, the display is not visible and cannot be vandalised, as it is protected by 2 modesty panels. At the front side, a removable, perforated metal modesty panel provides access to the sliding mechanism and at the back a fixed wooden modesty panel does the same. Er is ook een toetsenbordlade verborgen gemonteerd in de constructie dat alleen zichtbaar wordt als het scherm uitgeschoven is. A hidden keyboard tray is mounted within the construction, and only becomes visible when the display is extended. The table top is a high quality furniture board consisting of a 13 layer 19 mm thick plywood core, with single side synthetic stratification. The corners and edges are rounded with a 30mm radius. The edges are finished with a clear, matte and colourless DD-varnish lacquer that complies with DIN 68861 (wear-, scuff- and impact resistant) an EN 71-3 (composition).

Technical drawing



Our quality

- Plywood tabletop
- Mechanism shield
- functional work surface
- All metal parts finished with baked-in epoxy powdercoating

Your advantage

- The surface is very wear resistant, stays new for a long time, and is environmentally friendly.
- The tube is protected by impact resistant synthetic floor caps

Options

- CPU holder

(Display not included)

Paint colors

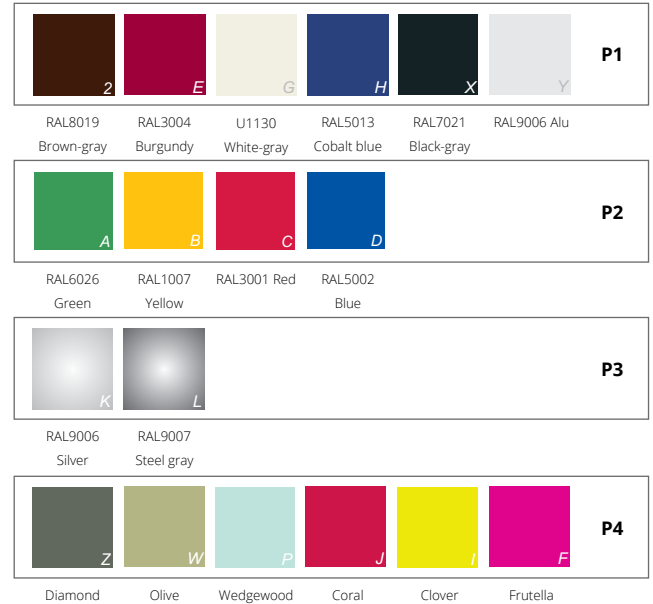


Table tops

