



## Computer Table MOBILINE

Are you looking for more than a simple table? A work group, a study room for peaceful research work, a place to consult each other or just to have some peace and quiet? Mobiline fully focuses on the practical side: worktops with edges that are ergonomically rounded off for a maximum support of the forearm, two depth sizes (for flat or traditional screens), three worktop shapes, partitions and side panels. Mobiline also offers computer solutions that fit your environment. CPU storage can be beneath or next to the worksurface. Select your own configuration or utilize our specialists to design the solution that best suits you.

### MATERIAL:

#### Durapan

The top has a synthetic resin coating on both sides and is additionally protected by a transparent anti-scratch layer. The core is chipboard complying with DIN 68765/E1. The top is protected by a strong, 3 mm thick bumper, rounded to a 3 mm radius at the top, the bottom, and on the corners. The colour of the edge is coordinated with that of the top layer.

#### Lacquer(ed) support

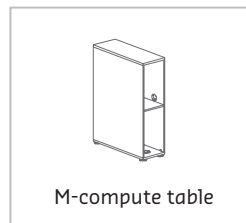
The (steel) legs are coated with a layer of an epoxy and/or polyester resin-based powder. The process is extremely environment-friendly, since it involves no solvents, the powder being applied electrostatically and any surplus being recovered. The result is particularly wear-resistant and affords a high degree of resistance to damage and scratching. The top is connected with the support by means of screws countersunk into the frame.



## MOBILINE SETUP

Mobiline is designed so that it is possible to create a compact workstation with a large functional work surface where everything can be placed within arms' reach. By assembling these workstations it is possible to arrange the room functionally. The design is sober and budget-oriented. Because loose and able to be mutually combined elements are used, variations are almost endless so that Mobiline is suitable for any environment and application. There are two different arrangements: the basic desks and the connecting tops. Connecting tops enable the basic desks to be coupled to one another to form a whole. Every arrangement can be supplemented by different forms of extension tops. The basic desk has two legs between which a straight cable duct is screwed. A bent cover plate is clicked on the vertical part of the legs. The top is a thick self-supporting chipboard furniture panel (25 mm), finished with a 3 mm thick rounded plastic section. The upper face of this top is finished with a transparent scratch-resistant melamine resin layer. It is available in various surface finishes, the connecting tops being available in two basic variants: 45° and 90° and sloping or straight. The 45° sloping top connects two desks at an angle of 45°, the 90° straight top connecting 2 desks at an angle of 90° and the 90° sloping top being able to connect up to 3 desks (90° straight and 135° sloping). A suitable cable duct is provided under every connecting top to extend the cable duct of the basic desks. A straight line extension is also

possible through the introduction a suitable connecting leg which then replaces one or more legs of the basic desk. Extension tops are round / drop-shaped (100 cm right and left), semicircular (160x80 cm) and ¼ elliptical (80 cm connection sides). These are added as extensions to the basic desk. These extension tops are equipped with the required support legs. The desks can be provided with front panels of wood or perforated steel to provide visual protection. The front panels are available for the basic desks and for the connecting tops. The desks can be provided with a desk extension on the worktop. This is made from furniture panels with a metal support structure. Under this extension, there is adequate space for normal ring binders and there is an opening for an easy passage of cables. A series of matching office cupboards in terms of material, colour, and finish is available.

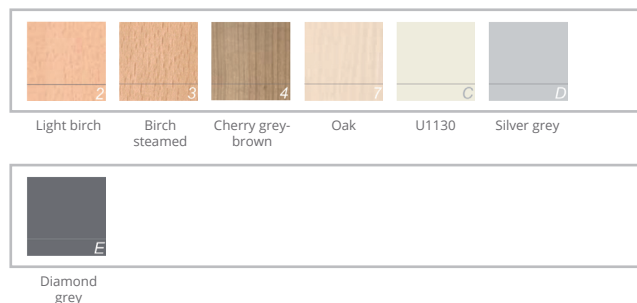


M-compute table

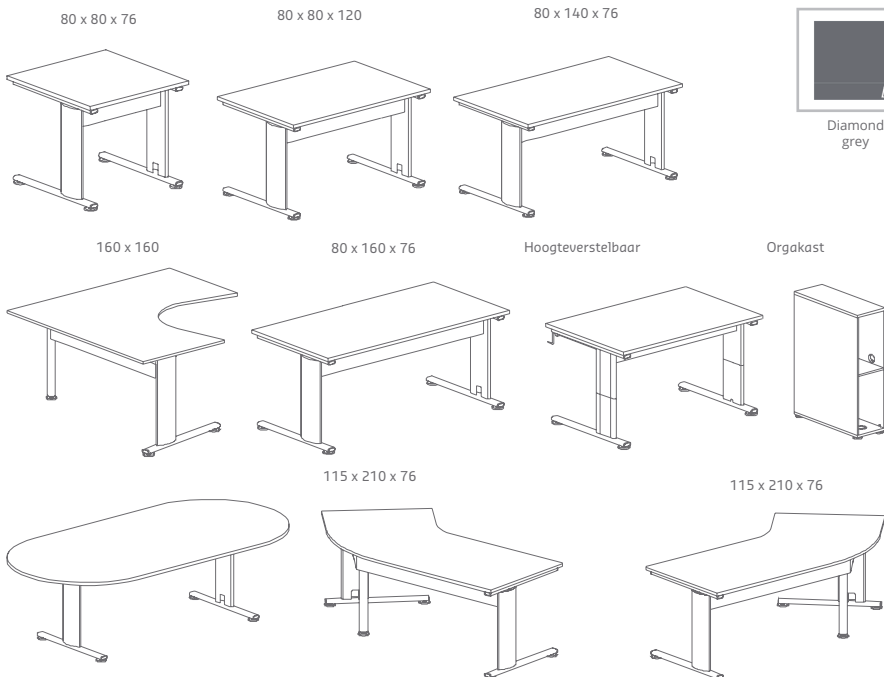
## Finish colors



## Tabletops



## Basic tables



## Switch Blades

