

# SEED TURN

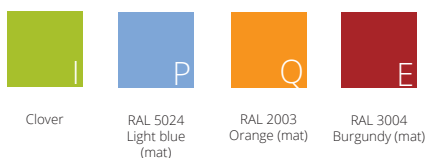
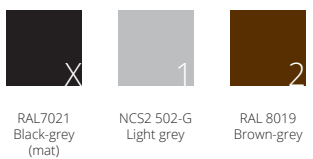
The SEED TURN can be easily moved and turned around. It comes with a 5-star aluminium base equipped with soft castors and the frame features a sturdy gas spring height adjustable mechanism.

The sleek shell with sloping corners avoids the build-up of pressure zones to improve circulation. The materials are easy to maintain and durable.

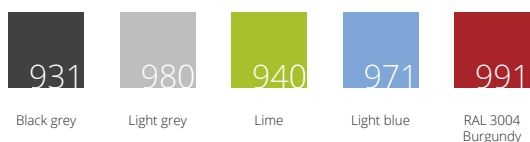
The SEED family is made up of one seating shell to maintain a strong 'family identity' throughout the range. The shell can be combined with different frames which makes it possible to use the SEED chairs in a wide range of settings and match a broad range of applications.



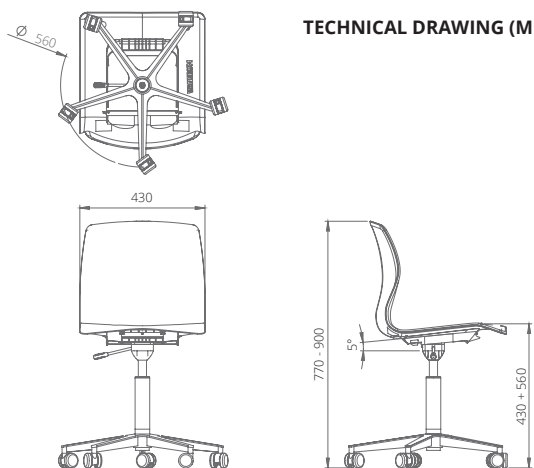
## FINISHING COLORS BASE



## POLYPROPYLENE SHELLS



## TECHNICAL DRAWING (MM)



## MATERIAL

### PLASTIC SEAT SHELL

The plastic shells are made only of polypropylene. The applied technique of injection molding allows us to use this material in a massive form. The use of pure polypropylene is not only ecological, it's also pleasant to touch and softer compared to shells with addition of e.g. glass fibers. The shells are very durable and perfectly recyclable. Color options are distinguished and formal or vibrant and lively, matching the interior concept. You can create a 'unified' look while combining shells and frames of the same color or obtain for a color combination to feature a contrast between the shell and frame. The front surface is simple and easy to clean. While the back of the shell has a stylish, geometrical pattern.

### ASSEMBLY

All SEED chairs consist of a one piece shell that can be clicked onto a steel frame and secured with 2 screws. Easy to ship, easy to assemble, but most of all: designed for disassembly. The different materials can be separated in a second and are fully recyclable. All parts can be replaced separately, no need to buy an entire new chair if you just want to change colors, renew your shells or go for another frame.

### FRAME

The chair has a steel frame with a diameter of 19 mm. The sled-type frame allows forward tilting allowing active seating.

### ERGONOMICS

A forward leaning position straightens the spine/pelvis and leads to increased muscle activity in the back and abdominal areas. The sleek shell with sloping corners avoids the build-up of pressure zones to improve circulation.

At Vanerum we invest a great deal in research on man in relation to his environment. Safety, health and most importantly, seated comfort conferred by the product, play a major part in seat design. Nevertheless, aesthetic design also provides a good atmosphere in a learning and working environment... our entire range of seats is made to measure for the user!